

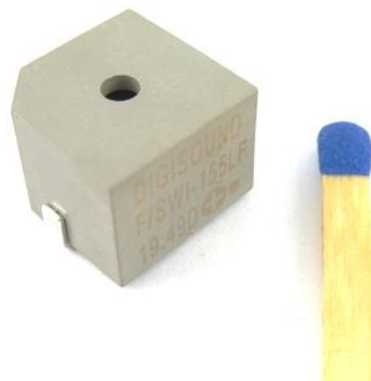
## Magnetic-SMT Buzzer with oscillator

### Electrical and Acoustical Parameter

Rated Voltage	5 VDC
Operating Voltage	3 - 6.5 VDC
Current Consumption	≤30 mA *
Sound Pressure Level	≥90 dB(A) at 10 cm *
Resonance Frequency	2300 ±300 Hz *
Remark	* Applying rated voltage (VDC)

### Mechanical and Environmental Parameter

Contact / Wire	SMT
Contact / Wire Plating	Sn
Operating Temperature	-40 to +85 °C
Storage Temperature	-40 to +90 °C
Housing Material	PPS
Housing Colour	Gray
MSL Level	3
Component Weight	3.0 g

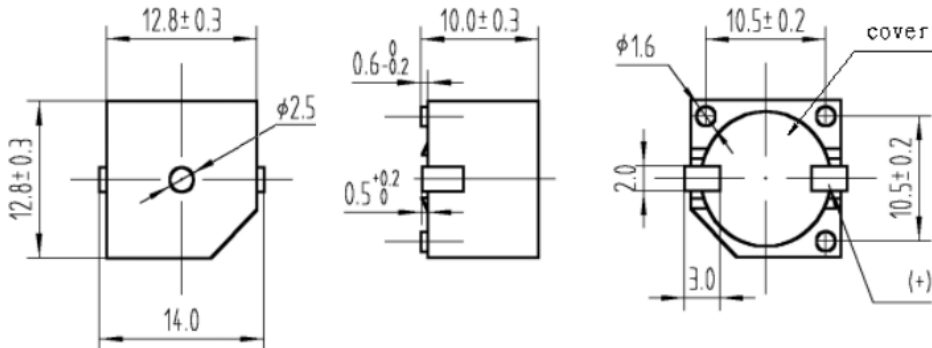


Created by	MZ	04.02.2011	Copyright DIGISOUND-Electronic GmbH All specifications are subject to change without notice	Index: 02
Changed by	TF	14.04.2020	Drawing Number: <b>110211.1BDB</b>	Page 1 / 6
Approved by	SuS	24.04.2020		

## Magnetic-SMT Buzzer with oscillator

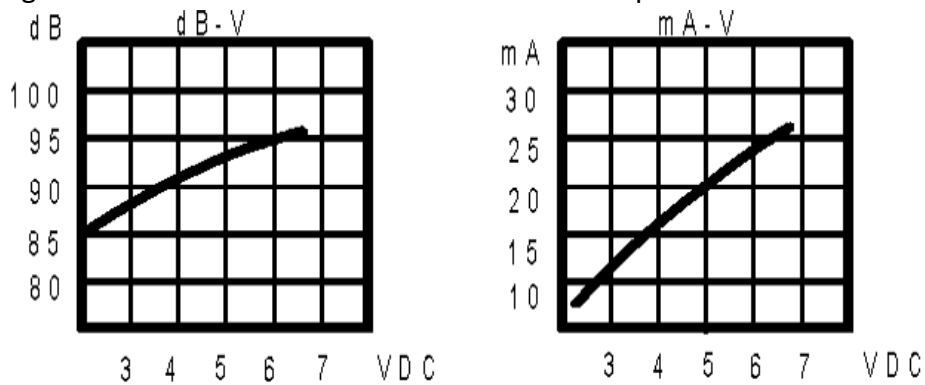
### Drawing of Component

Tolerance  $\pm 0.5$  mm except specified

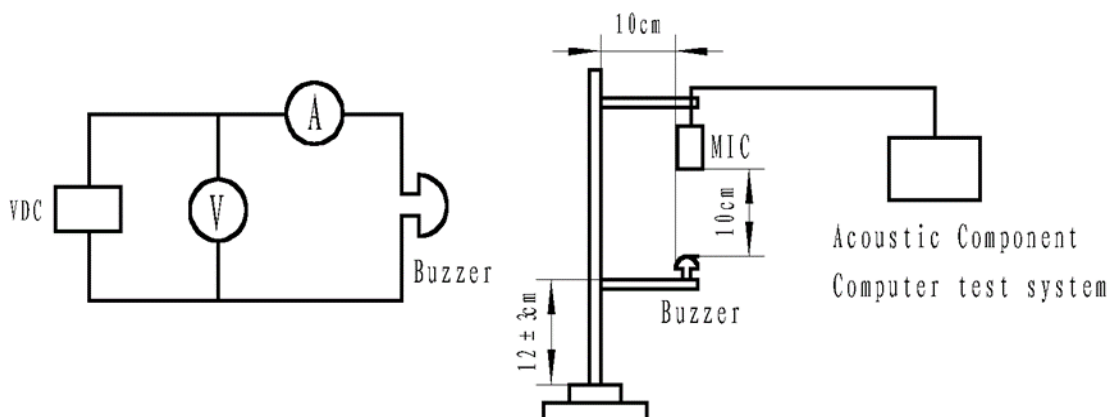


### Schematic Diagrams and Characteristics

Input Voltage VS. Sound Pressure Level & Current Consumption



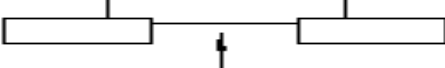
### Test Method



Created by	MZ	04.02.2011	Copyright DIGISOUND-Electronic GmbH All specifications are subject to change without notice	Index: 02
Changed by	TF	14.04.2020	Drawing Number: <b>110211.1BDB</b>	Page 2 / 6
Approved by	SuS	24.04.2020		

## Magnetic-SMT Buzzer with oscillator

### Reliability Test

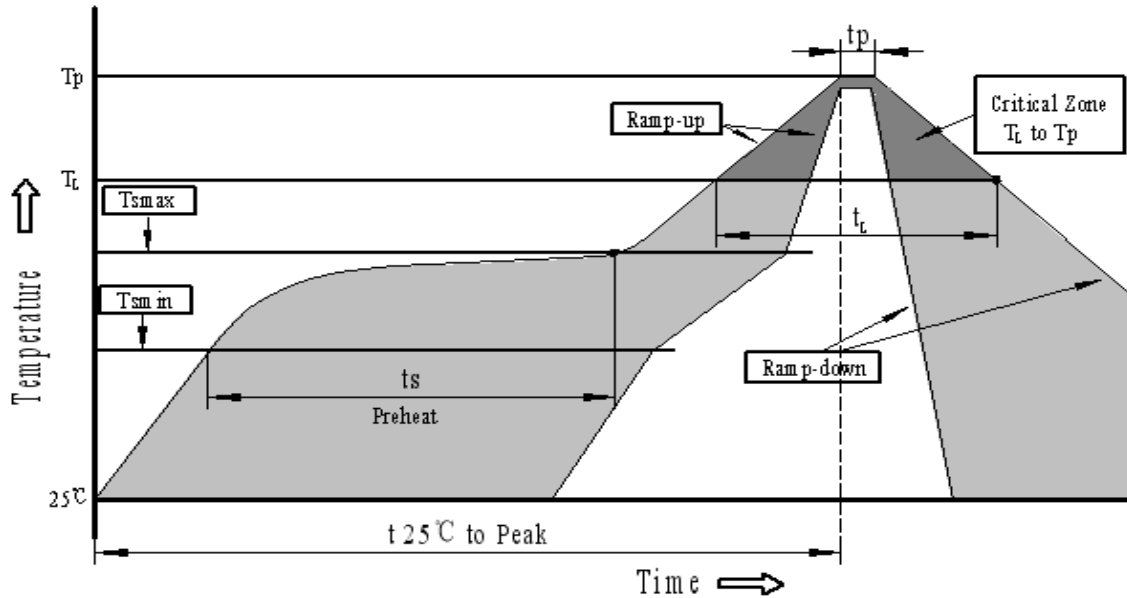
ITEM	TESTING CONDITION	VARIANCE AFTER TEST
High temp. storage life	The part shall be capable of withstanding a storage temperature is +90 °C for 120 hours	After the test the part shall meet specifications without any degradation in appearance and performance except SPL shall be initial value ±10 dB or more.
Low temp. storage life	The part shall be capable of withstanding a storage temperature is -40 °C for 120 hours	
Temp. Cycle	Total 5 cycles, 1 cycle consisting of -40 ±2 °C, 30 minutes 20 ±5 °C, 15 minutes 90 ±2 °C, 30 minutes 20 ±5 °C, 15 minutes	
Humidity Test	40 ±2 °C, 90-95% RH, 120 hours	
Vibration Test	The part shall be subjected to a vibration cycle is 10 Hz in a period of 1 minute. Total peak amplitude shall be 1.52 mm (9.3 g). The vibration test shall consist of 2 hours per plane in each three mutually perpendicular planes for a total time of 6 hours.	
Shock	Sounder shall be measured after being applied shock (980 m/s <sup>2</sup> ) for each three mutually perpendicular directions to each of 3 times by half sine wave.	
Drop Test	Dropped naturally from 700 mm height onto the surface of 10 mm thick wooden board. 2 directions-upper and side of the part are to be applied.	
Lead pull	The part shall be pushed with a force of 9.8 N for 10 ±1 seconds behind the part. 	

Created by	MZ	04.02.2011	Copyright DIGISOUND-Electronic GmbH All specifications are subject to change without notice	Index: 02
Changed by	TF	14.04.2020	Drawing Number: <b>110211.1BDB</b>	Page 3 / 6
Approved by	SuS	24.04.2020		

## Magnetic-SMT Buzzer with oscillator

### Solder Profile

Recommended Temp. Profile for Reflow Oven

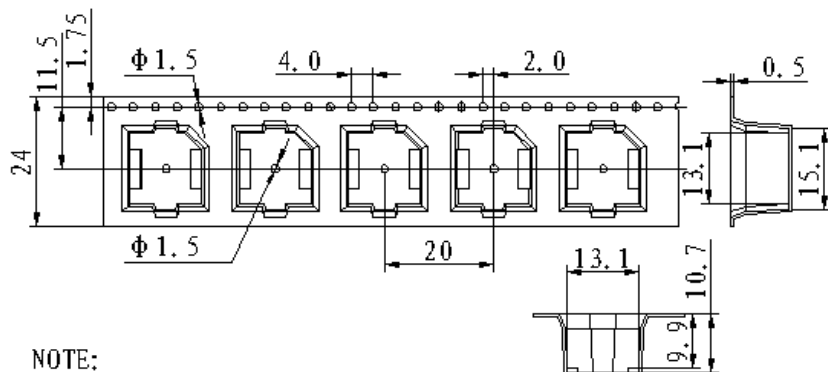


Profile Feature	Pb-Free Assembly
Average ramp-up rate (TL to Tp)	3 °C/second max.
Preheat:	
- Temperature Min. (T <sub>min</sub> )	150 °C
- Temperature Min. (T <sub>max</sub> )	200 °C
- Temperature Min. (t <sub>s</sub> )	60 - 180 seconds
T <sub>max</sub> to T <sub>L</sub> :	
- Ramp-up Rate	3 °C/second max.
Time maintained above:	
- Temperature (T <sub>L</sub> )	217 °C
- Time (T <sub>L</sub> )	60 - 150 seconds
Peak temperature (T <sub>p</sub> )	242.5 ±2.5 °C
Time within 5 °C of actual Peak temperature (t <sub>p</sub> )	6 seconds max.
Ramp-down Rate	6 °C/second max.
Time 25 °C to Peak Temperature	8 minutes max.

Created by	MZ	04.02.2011	Copyright DIGISOUND-Electronic GmbH All specifications are subject to change without notice	Index: 02
Changed by	TF	14.04.2020	Drawing Number: <b>110211.1BDB</b>	Page 4 / 6
Approved by	SuS	24.04.2020		

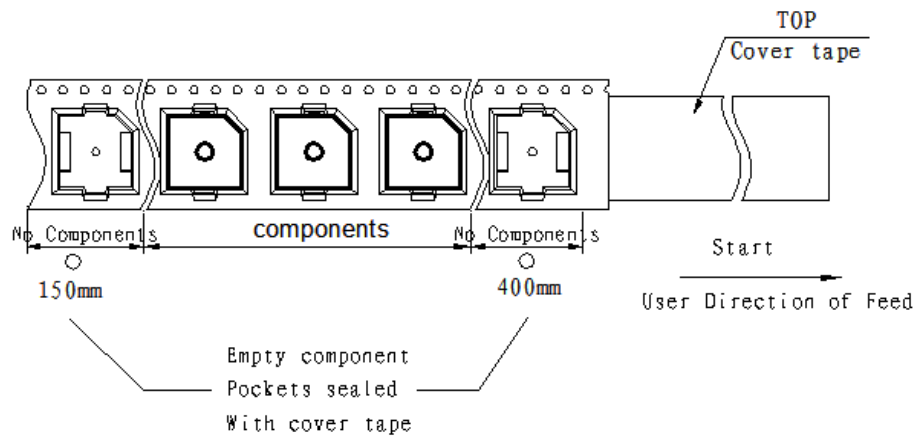
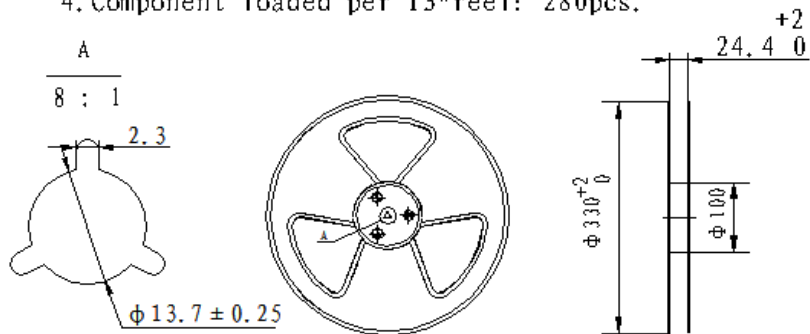
## Magnetic-SMT Buzzer with oscillator

### Packaging Information



**NOTE:**

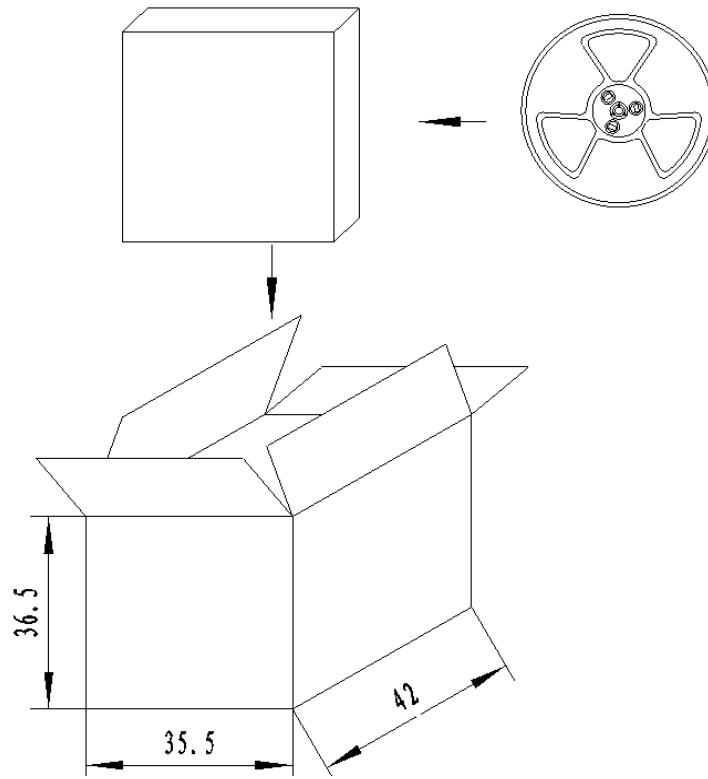
1. 10 sprocket hole pitch cumulative tolerance  $\pm 0.2$ mm.
2. All dimensions meet EIA-481-D requirements.
3. Thickness:  $0.5 \pm 0.05$ mm.
4. Component loaded per 13" reel: 280pcs.



Created by	MZ	04.02.2011	Copyright DIGISOUND-Electronic GmbH All specifications are subject to change without notice	Index: 02
Changed by	TF	14.04.2020	Drawing Number: <b>110211.1BDB</b>	Page 5 / 6
Approved by	SuS	24.04.2020		

## Magnetic-SMT Buzzer with oscillator

### Packaging Information



### NOTES:

1. 280 PCS per box
2. Total 7 boxes per carton
3. Total 1960 PCS per carton

### Revision Table

Index Nr.	Reason - Procedure Change description	Date	Name
01	New SPL max. store temp. And add packaging details	26.04.2012	KH
02	New design, change Operating Voltage	14.04.2020	TF

Created by	MZ	04.02.2011	Copyright DIGISOUND-Electronic GmbH All specifications are subject to change without notice	Index: 02
Changed by	TF	14.04.2020	Drawing Number: <b>110211.1BDB</b>	Page 6 / 6
Approved by	SuS	24.04.2020		