

Electrical and Acoustical Parameter

Rated Voltage (VDC) *	5.0
Operating Voltage (VDC)	3.0 - 8.0
Rated Current (VDC)*	max. 30
Sound Pressure level (dBA, 10cm)*	min. 90
Resonance Frequency (Hz)	2300±300
Remark: @Rated Voltage	

Mechanical, Environmental Parameter

Contact / Wire	Pad
Operating Temperature (°C)	-40 to +85
Storage Temperature (°C)	-40 to +90
Material Housing	PPS
Color Housing	grey
Component Weight (g)	3.0
Remark:	

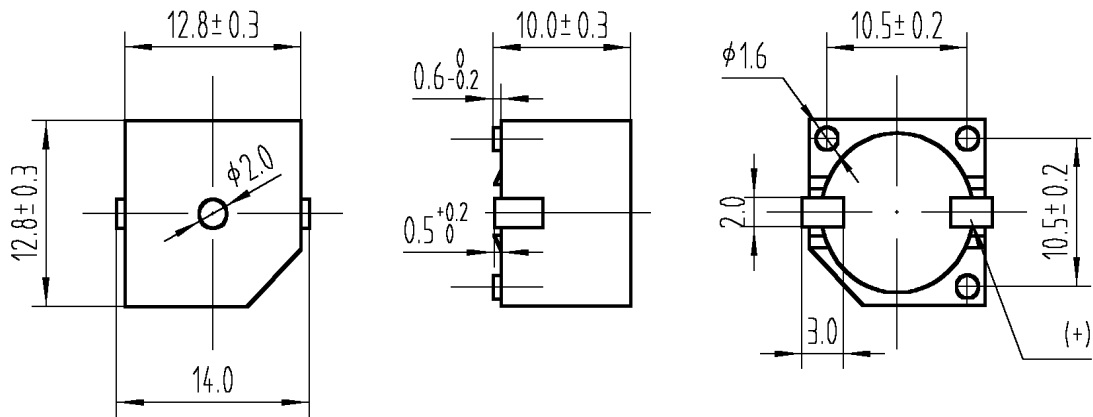
Approval

RoHs	<input checked="" type="checkbox"/>
UL	<input type="checkbox"/>

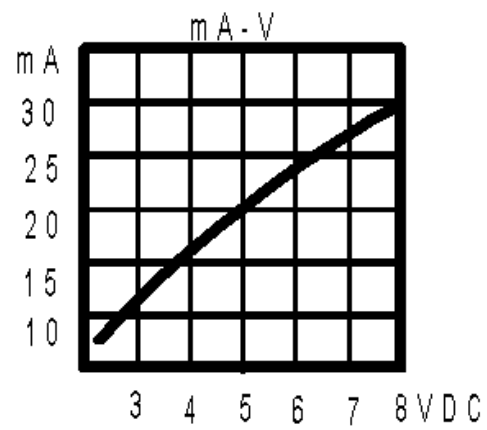
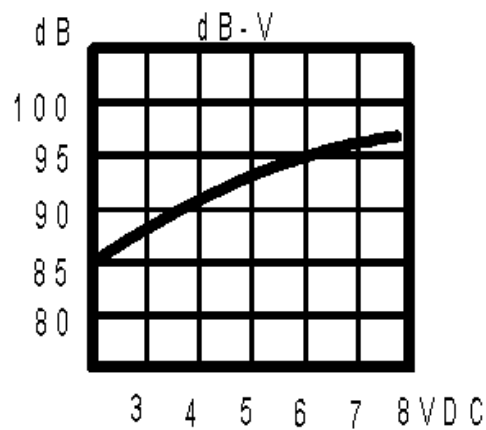
Designed by	MZ	04.02.2011	Dimensions without tolerance ±0.3mm	Index: 01	Current date
Released by	MZ	04.02.2011	Drawing number	110211.1PDB	26.04.2012
Changed by	KH	26.04.2012			Page 1 of 8

Drawing of Component

Unit:mm Tolerance: $\pm 0.5\text{mm}$ Except Specified

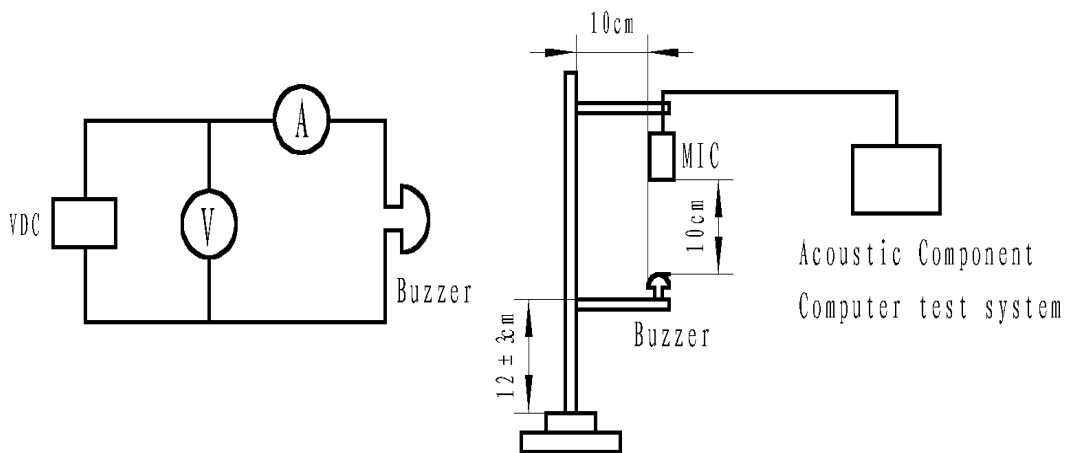


Input Voltage VS. Sound Pressure Level & Current Consumption



Designed by	MZ	04.02.2011	Dimensions without tolerance $\pm 0.3\text{mm}$	Index: 01	Current date
Released by	MZ	04.02.2011	Drawing number	110211.1PDB	26.04.2012
Changed by	KH	26.04.2012			Page 2 of 8

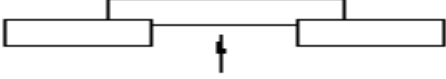
Test Method



Reliability Test

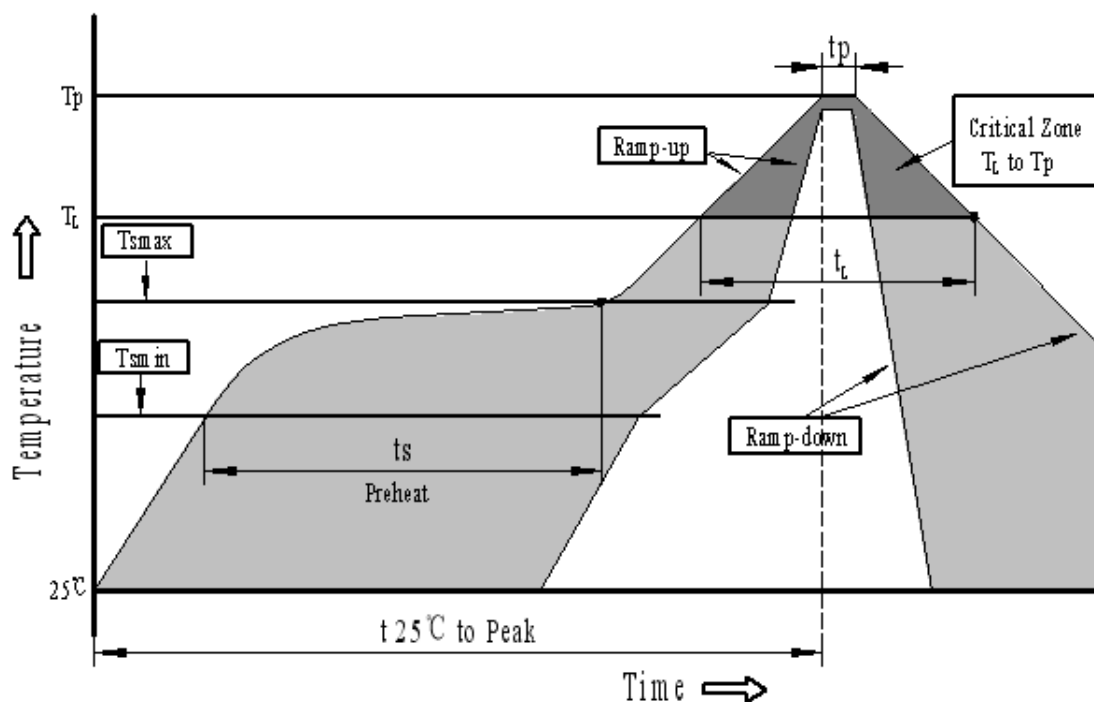
NO.	ITEM	TESTING CONDITION	VARIANCE AFTER TEST
1	High temp. storage life	The part shall be capable of withstanding a storage temperature is +90°C for 120 hours	After the test the part shall meet specifications without any degradation in appearance and performance except SPL shall be initial value±10dB or more.
2	Low temp. storage life	The part shall be capable of withstanding a storage temperature is -40°C for 120 hours	
3	Temp. cycle	Total 5 cycles, 1 cycle consisting of -30±2°C, 30 minutes 20±5°C 15 minutes 80±2°C, 30 minutes 20±5°C 15 minutes	
4	Humidity Test	40±2°C, 90~95% RH, 120 hours	
5	Vibration test	The part shall be subjected to a vibration cycle is 10Hz in a period is 1 minute. Total peak amplitude shall be 1.52mm(9.3g). The vibration test shall consist of 2 hours per plane in each three mutually perpendicular planes for a total time of 6 hours.	
6	Shock	Sounder shall be measured after being applied shock (980m/s ²) for each three mutually perpendicular directions to each of 3 times by half sine wave.	

Designed by	MZ	04.02.2011	Dimensions without tolerance ±0.3mm	Index: 01	Current date
Released by	MZ	04.02.2011	Drawing number	110211.1PDB	26.04.2012
Changed by	KH	26.04.2012			Page 3 of 8

7	Solder ability	The part leads (pins) shall be immersed in molten solder maintained at $235 \pm 5^\circ\text{C}$ for a period of 2.0 ± 0.5 seconds	Ninety-five percent (95%) coverage with a continuous coating of bright new solders.
8	Solder heat resistance	The part leads (pins) shall be immersed in molten solder maintained at $250 \pm 10^\circ\text{C}$ for a period of 30 seconds.	After the test part shall meet specifications without any degradation in appearance and performance.
9	Lead pull	The part shall be pushed with a force of 9.8N for 10 ± 1 seconds behind the part. 	After the test part shall meet specifications without any degradation in appearance and performance.
	Recommended temp. Profile for Reflow Oven	Shown in Fig.1	

Solder Profile

Recommended Temp. Profile for Reflow Oven (Fig.1)

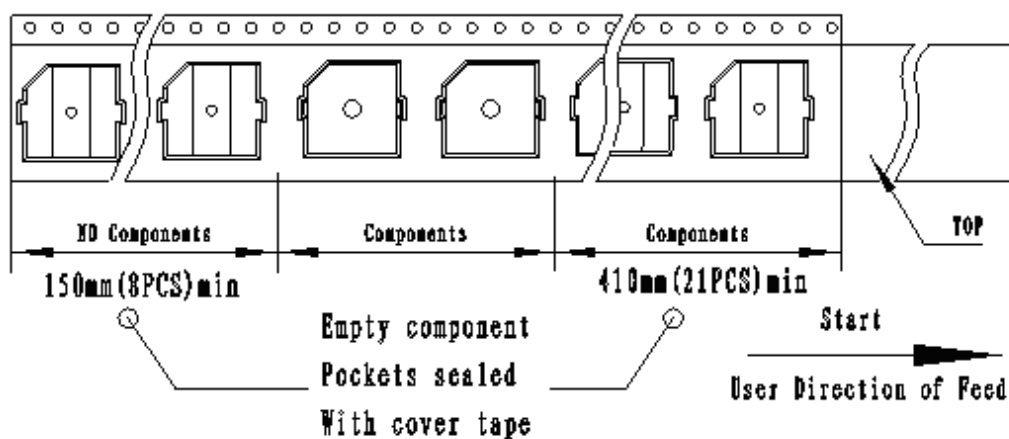
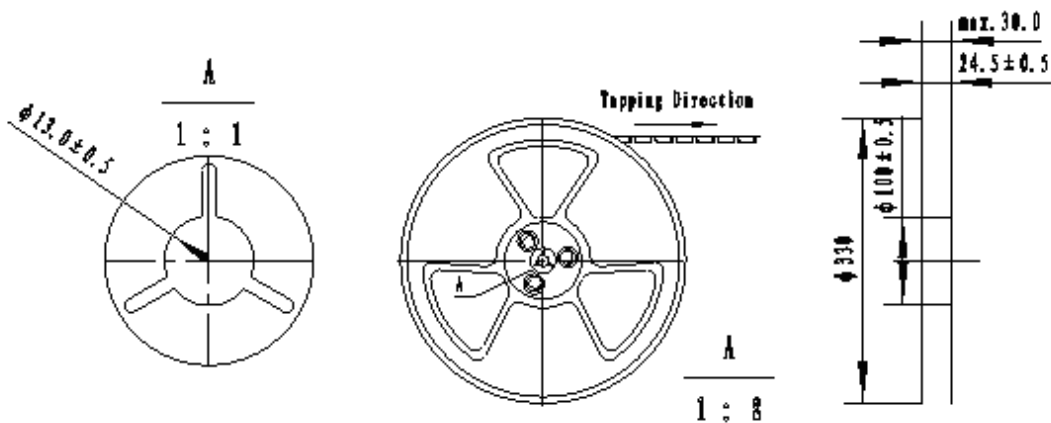
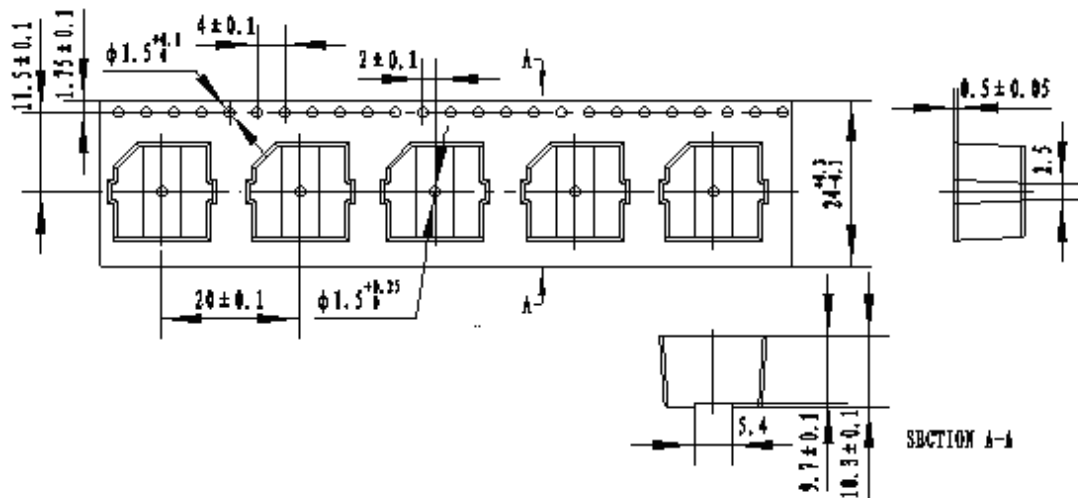


Designed by	MZ	04.02.2011	Dimensions without tolerance $\pm 0.3\text{mm}$	Index: 01	Current date
Released by	MZ	04.02.2011	Drawing number	110211.1PDB	26.04.2012
Changed by	KH	26.04.2012			Page 4 of 8

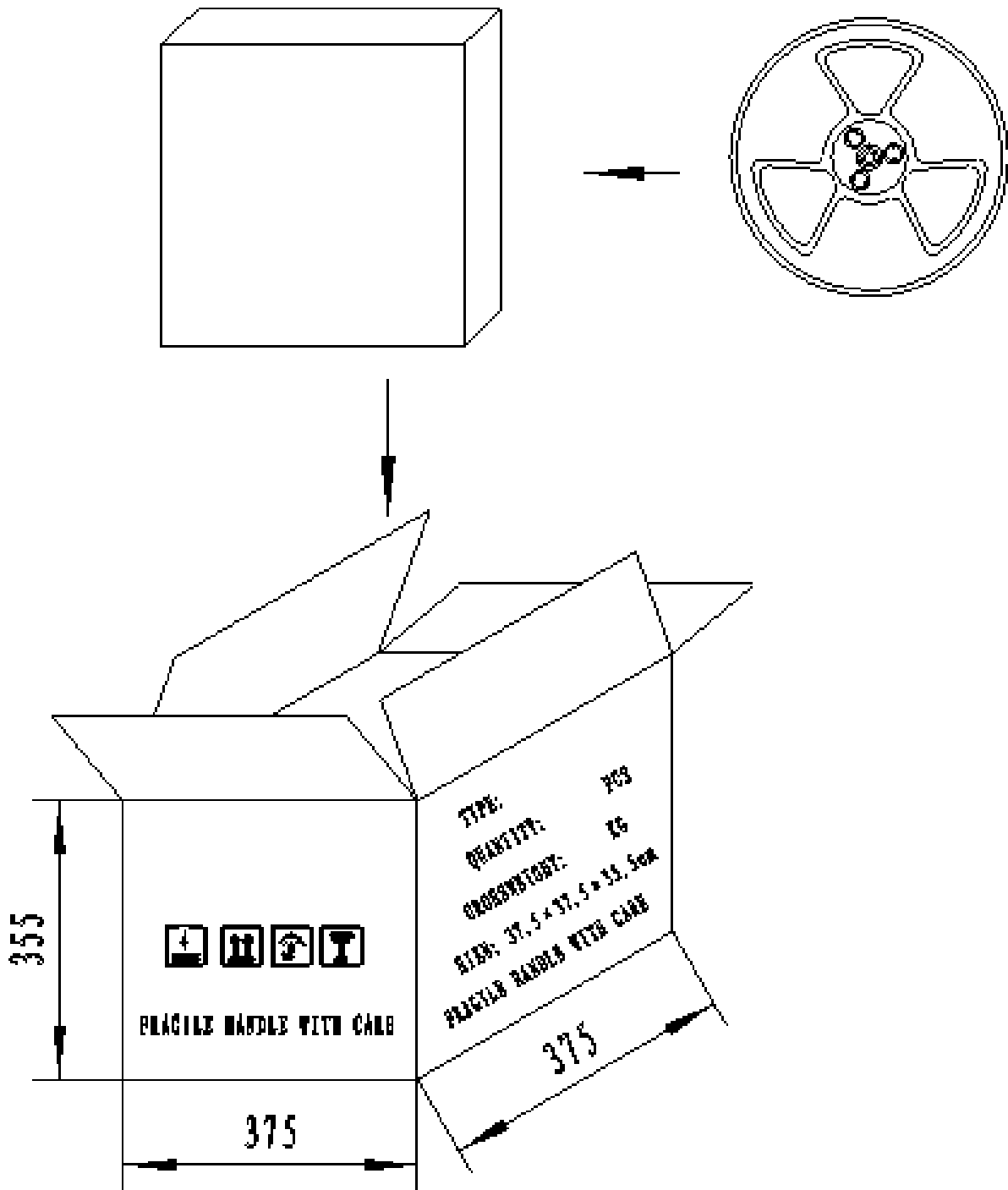
Profile Feature	Pb-Free Assembly
Average ramp-up rate(T_L to T_p)	3°C/second max.
Preheat	
-Temperature Min. (T_{smin})	150°C
-Temperature Min. (T_{smax})	200°C
-Temperature Min. (t_s)	60~180 seconds
T_{smax} to T_L	
-Ramp-up Rate	3°C/second max.
Time maintained above:	
- Temperature (T_L)	217°C
-Time (T_L)	60~150 seconds
Peak temperature (T_p)	245°C+0/-5°C
Time within 5°C of actual Peak temperature (t_p)	6 seconds max.
Ramp-down Rate	6°C/second max.
Time 25°C to Peak Temperature	8 minutes max.

Designed by	MZ	04.02.2011	Dimensions without tolerance $\pm 0.3\text{mm}$	Index: 01	Current date
Released by	MZ	04.02.2011	Drawing number 110211.1PDB		26.04.2012
Changed by	KH	26.04.2012			Page 5 of 8

Packaging Information



Designed by	MZ	04.02.2011	Dimensions without tolerance $\pm 0.3\text{mm}$	Index: 01	Current date
Released by	MZ	04.02.2011	Drawing number	110211.1PDB	26.04.2012
Changed by	KH	26.04.2012			Page 6 of 8



NOTES:

- 1. 300 PCS tape on reel per box
- 2. Total 10 boxes per carton
- 3. Total 3000 PCS carton

Designed by	MZ	04.02.2011	Dimensions without tolerance $\pm 0.3\text{mm}$	Index: 01	Current date
Released by	MZ	04.02.2011	Drawing number	110211.1PDB	26.04.2012
Changed by	KH	26.04.2012			Page 7 of 8

