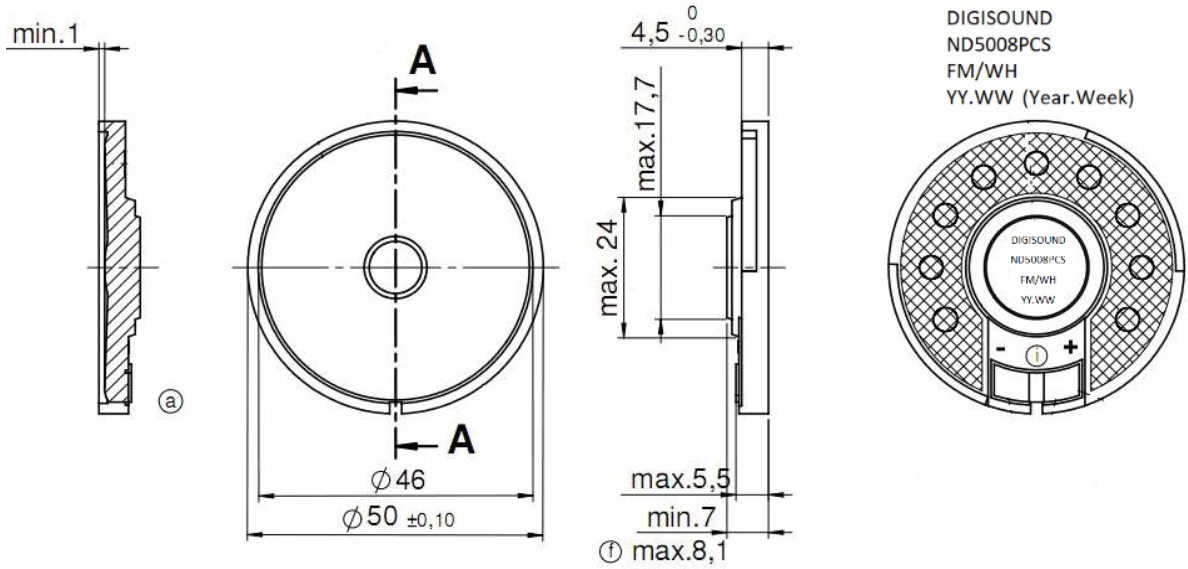


Drawing of Component

Tolerance general unless otherwise specified: ± 0.3 mm unit: mm

A-A



PRINT:
 DIGISOUND
 ND5008PCS
 FM/WH
 YY.WW (Year.Week)