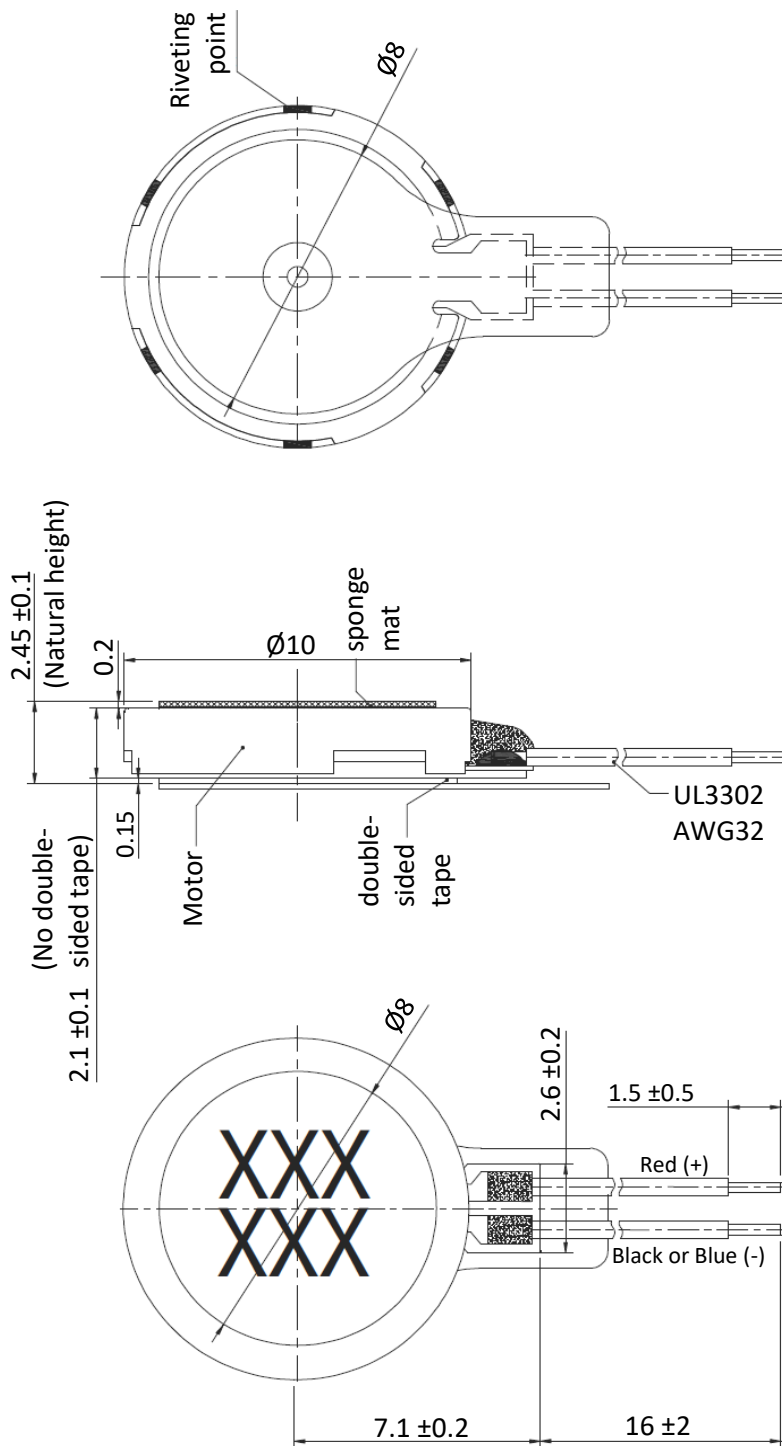


Drawing of Component

Unit: mm Tolerance general unless otherwise specified: ± 0.1 mm



Copyright DIGISOUND-Electronic GmbH
All specifications are subject to change without notice