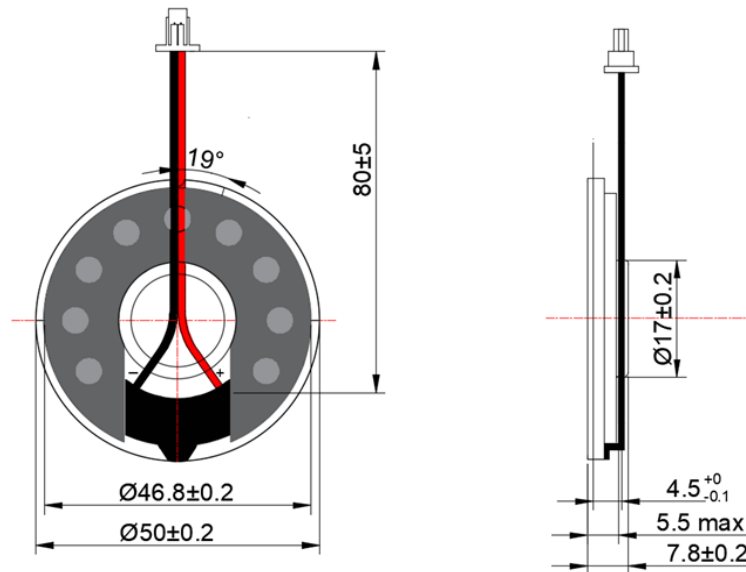


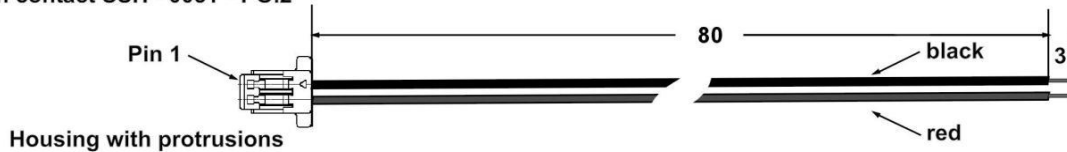
Drawing of Component

Unit: mm Tolerance general unless otherwise specified: ± 0.3 mm



JST Housing SHR -02V -S -B

with contact SSH - 003T - PO.2



Specifications

Current rating: 1.0A AC,DC (AWG #28)

Voltage rating: 50V AC,DC

Temperature range: -25°C to +85°C

including temperature rise in applying electrical current

Contact resistance: Initial value/20mOhm max.

after environmental testing/40mOhm max.

Insulation resistance: 100MOhm min.

Withstanding voltage: 500V AC/minute

Applicable wire AWG #32 to #28

Insulation O.D./0.4 to 0.8mm (.016" to .031")

see more information on JST Datasheet SH Connector with .039" pitch