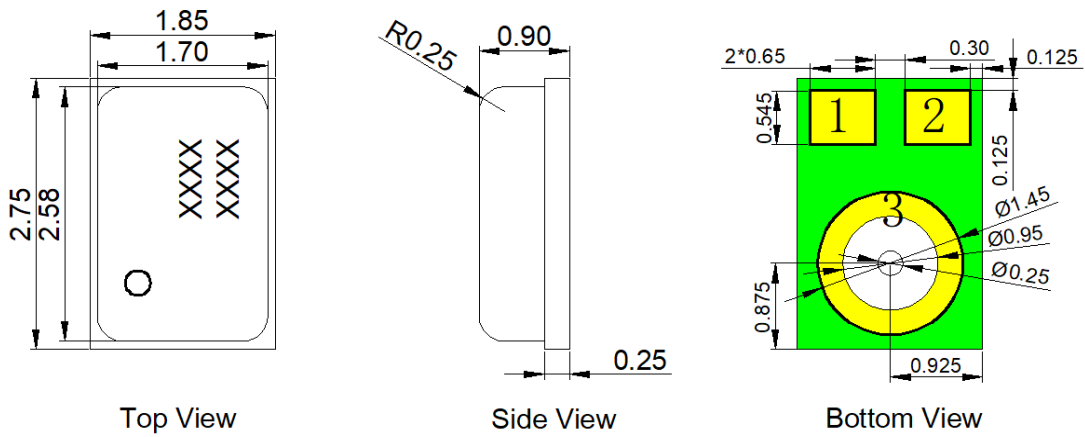


Drawing of Component

Unit: mm The tolerance is ±0.1 mm unless otherwise specified

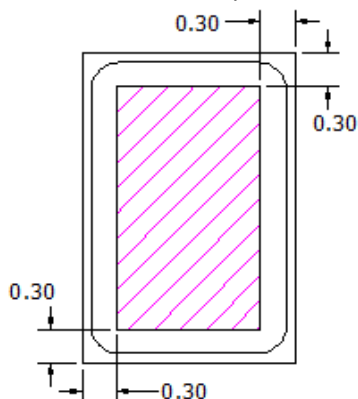


Laser Mark	Description
XXXX	Date Code
XXXX	

Item	Dimension	Tolerance(±)	Units
Length(L)	27426	0.10	mm
Width(W)	31048	0.10	mm
Height(H)	0.9	0.10	mm
Acoustic Port(AP)	Ø0.5	0.05	mm

Pin #	Pin Name	Type	Description
1	V _{DD}	Power	Power Supply
2	Output	Signal	Output Signal
3	GND	Ground	Ground

Recommended Pickup Location



Recommended Solder Pad Layout

