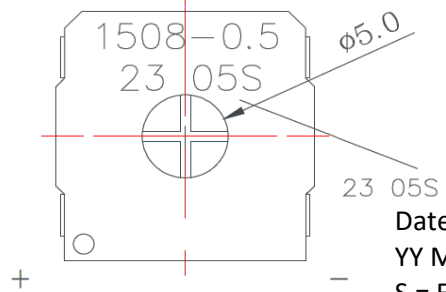
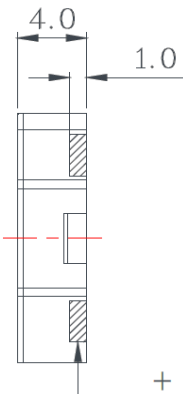
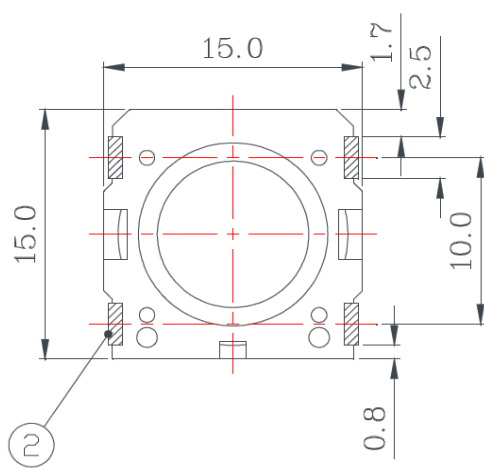


Drawing of Component



Date Code:
YY MMS
S = Factory code

Tin plated

Recommended Land Pattern

