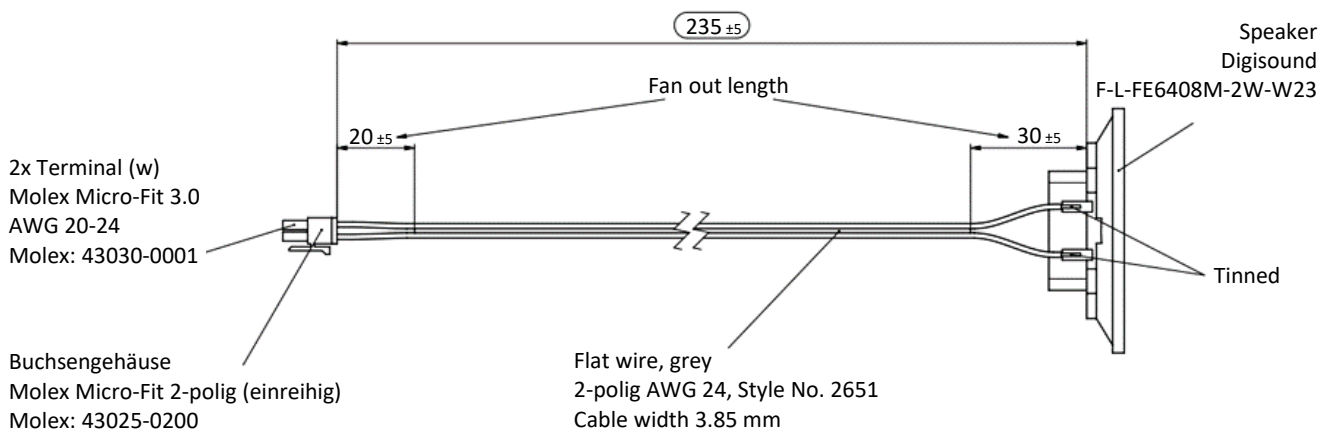
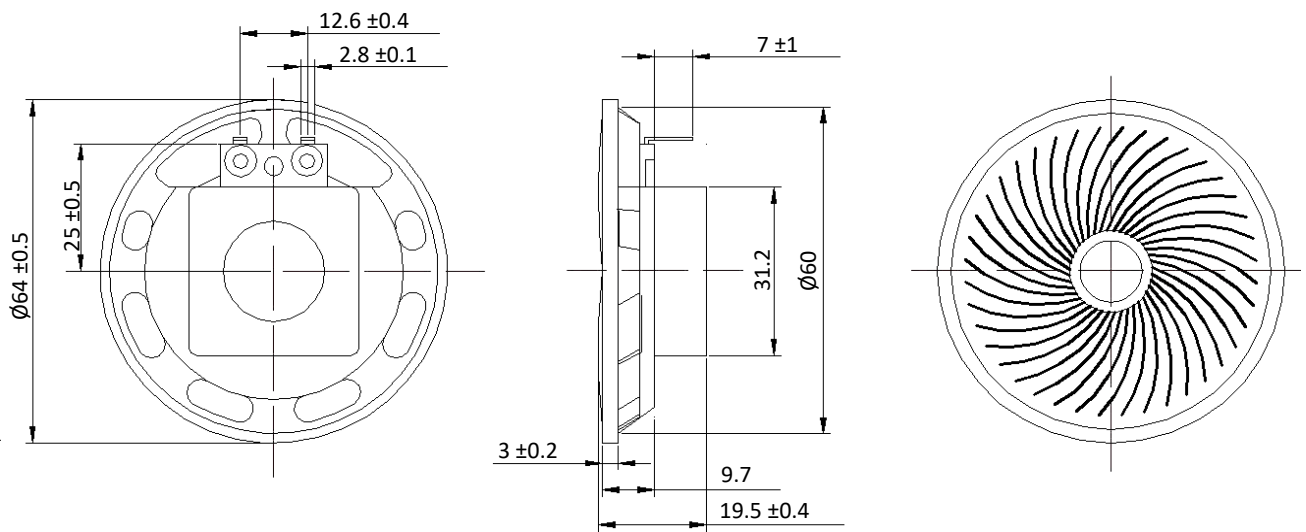


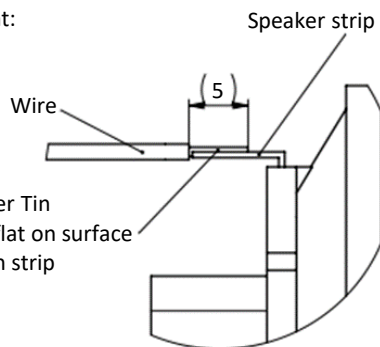
## Drawing of Component

Unit: mm

Tolerance general unless otherwise specified:  $\pm 0.3$  mm



Definition solder point:



1. Use Leadfree Solder Tin
2. Put stripped wire flat on surface
3. Wire soldered with strip

