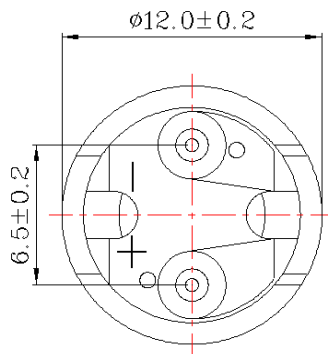
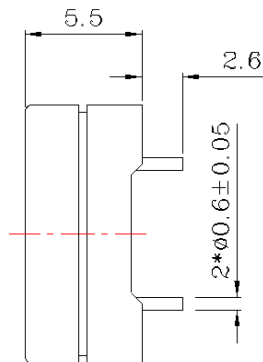


Drawing of Component

BOTTOM



SIDE



TOP

