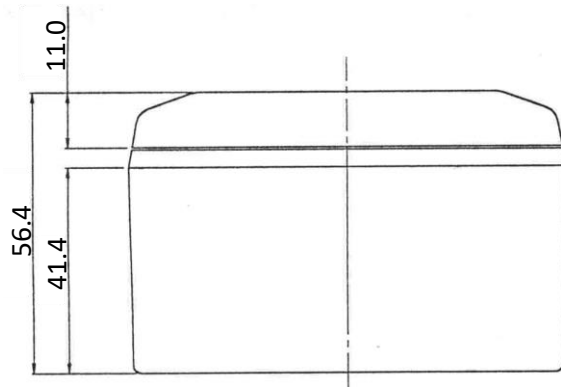
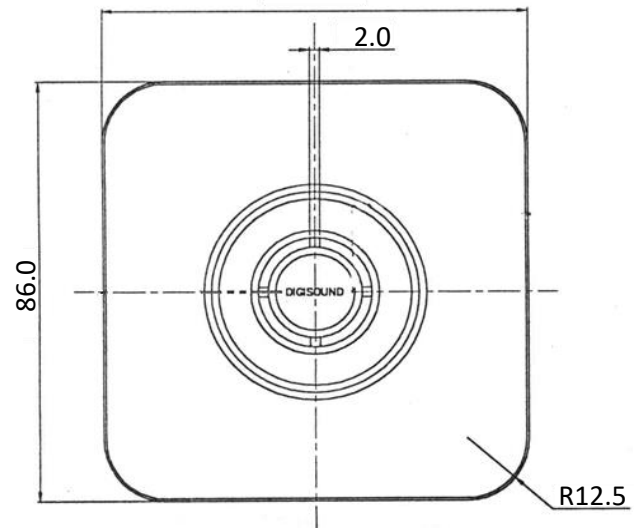


Drawing of Component

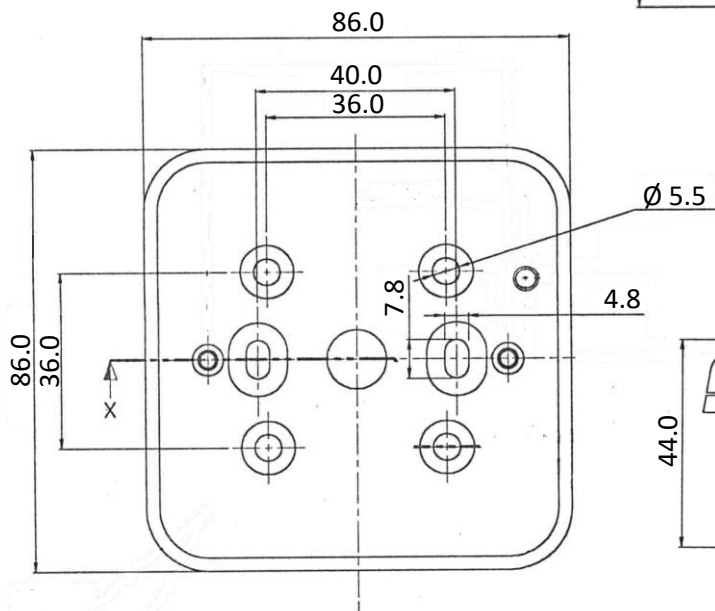
AP-Version



AP / UP-Version



AP-Version



UP-Version

