

Standard Siren EN 54-3 (Type A)

Electrical and Acoustical Parameter

Rated Voltage	12/24 VDC
Operating Voltage for 12 VDC	10-16 VDC
Operating Voltage for 24 VDC	16-28 VDC
Current Consumption*	≤32 mA
Frequency Tolerance	±0.15 %
Turn-on Time*	1.5 msec.
Synchronic Operation	Automatic
SPL-Reduction	≤20 dB
Continues Working Time**	1 hour
Remark	*At rated voltage of 24 VDC with tone 26 **According to EN 54-3 section 4.2.1

Min. Sound Pressure Level dB(A) (Distance 1 m / max. Volume)

Rated Voltage	Operating Voltage	Orientation 0° & 90° / SPL in dB(A)			Reference
		15° / 165°	45° / 135°	75° / 105°	
12 VDC	10 VDC	75	80	84	90°
	16 VDC	79	84	88	87
24 VDC	16 VDC	79	84	88	91
	28 VDC	84	89	93	91
					96

SPL with DIN Tone (according to setup DIN EN54-3:2001/A1:2002)

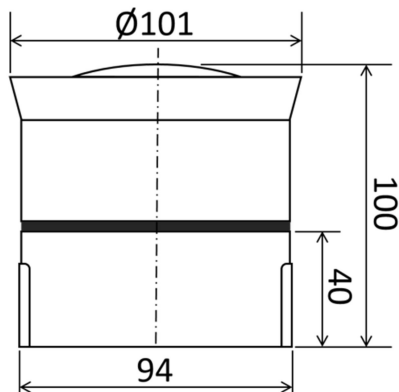
Mechanical, Environmental Parameter

Contact / Wire	Wire Terminal
Operating temperature	-10 to +55 °C
Storage temperature	-40 to +80 °C
Ingress Protection Deep Base	IP55 with Deep Base, if the mounting screws are sealed with silicone from the inside, the requirement for IP65 can be achieved (IP65 at ceiling installation with B/SE ASSEMBLING RING)
Ingress Protection Shallow Base	IP54 with Shallow Base, if siren is mounted flat on a surface that no water can flow into the housing (Not applicable at suspended ceilings)
Housing material	Flame Retardant ABS POLYLAC® PA-765A, UL94 certified
Housing colour	RED (RAL3001), WHITE (RAL9010)
Component weight	0.3 kg
Approval	VdS Applies only for tone 26 with max. Vol.

Created by	MZ	14.12.2012	Copyright DIGISOUND-Electronic GmbH, Germany All specifications are subject to change without notice	Index: 07	Page 1 of 7
Changed by	TF	14.03.2022	Drawing number	<h1>121214.1SDR</h1>	
Approved by	DS	24.03.2022			

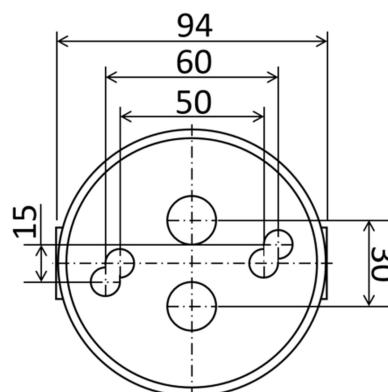
Drawing of Component

Unit: mm

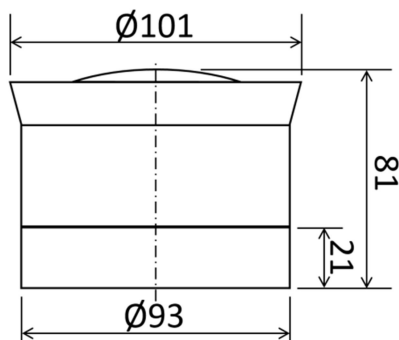


Deep Base (Standard)

Use IP65 cable gland M20 x 1.5 with a thread length of 9 to 15 mm or rubber gasket for the side cable entry. Note: The M20 counter nut can only be mounted with SW24. Use IP65 cable gland M12 x 1.5 with a thread length of ≥ 10 mm at the bottom cable entry with the B/SE ASSEMBLING RING.

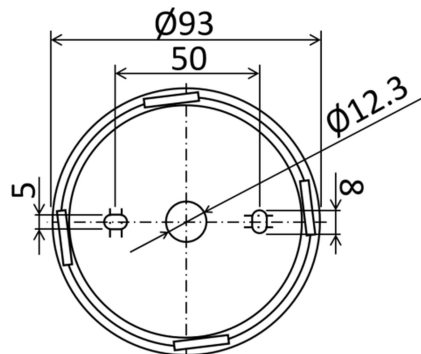


Bottom view of Deep Base



Shallow Base

Cable entry is only possible through to the base plate.



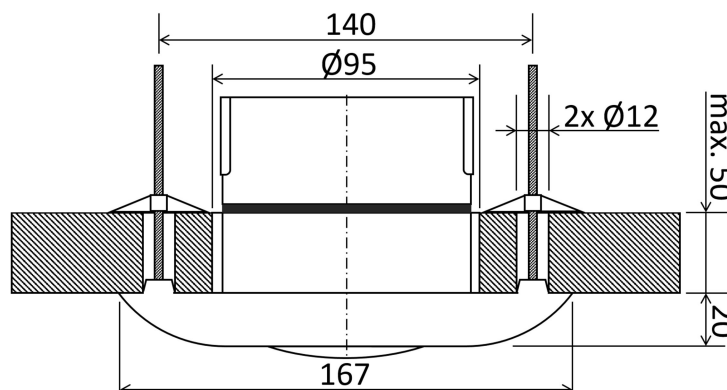
Bottom view of Shallow Base

Ceiling installation with B/SE ASSEMBLING RING (optional) only with Deep Base

Drilling for Base: $\varnothing 95$ mm

Drilling for Holding screws: 2x $\varnothing 12$ mm

Use a suitable M12 x 1.5 IP65 cable conduct or rubber gasket at the bottom of the Base



Created by	MZ	14.12.2012	Copyright DIGISOUND-Electronic GmbH, Germany All specifications are subject to change without notice	Index: 07	Page 2 of 7
Changed by	TF	14.03.2022	Drawing number	<h1>121214.1SDR</h1>	
Approved by	DS	24.03.2022			

Picture



Deep Base



Shallow Base



Ceiling Assembling Ring

Label

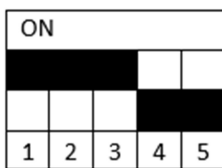


Connector and label inside B/SE 128

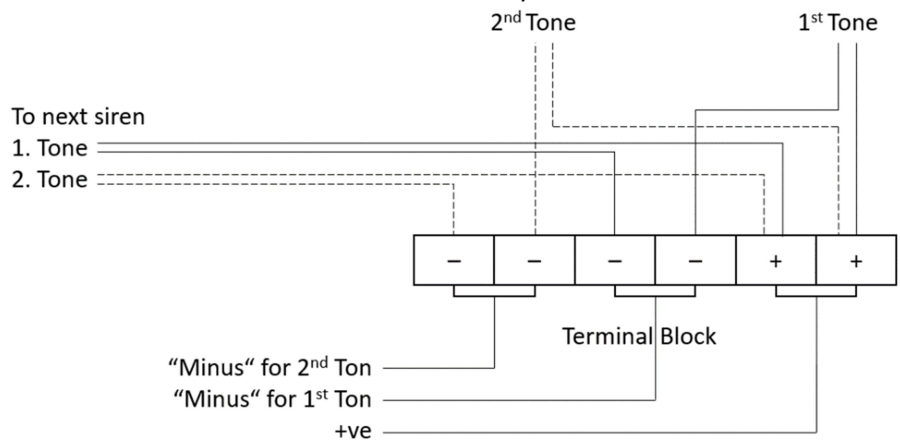


0786-CPD-21025
VdS-Nr.: G200117

DIL-Switch for tone-selection



Terminal block B/SE 128



Created by	MZ	14.12.2012	Copyright DIGISOUND-Electronic GmbH, Germany All specifications are subject to change without notice	Index: 07	Page 3 of 7
Changed by	TF	14.03.2022	Drawing number	<h1>121214.1SDR</h1>	
Approved by	DS	24.03.2022			

Tone Table

No.	Tone	Frequency / Modulation	2 nd Tone	Code 12345	Min. SPL/90° dB(A) / 1 m	
					12V	24V
1	Alternating tone	800/1000 Hz 2 Hz BS5839 Part 1:1988	21	00000	83	89
2	Intermittent tone	660 Hz (1.8 sec On / 1.8 sec Off)	2	00001	80	87
3	Alternating tone	2400/2900 Hz 2 Hz	22	00010	95	101
4	Intermittent tone	1000 Hz (3x 0.5 s On 2x 0.5 s Off 1x 1.5 s Off) Mod. 0.3 Hz ISO 8201 (LF) BS5939 P.1:1988	18	00011	82	89
5	Sweeping tone	2400-2900 Hz 7 Hz	22	00100	97	104
6	Intermittent tone	660 Hz 1 Hz Swedish Alarm Tone	6	00101	80	86
7	Intermittent tone	1000 Hz (0.25 sec On / 1 sec Off) BS5839 Part 1:1988	21	00110	81	88
8	Sweeping tone	800-1000 Hz 1 Hz Medium Sweep (LF) BS5839 Part 1:1988	21	01000	90	97
9	Continuous tone	660 Hz Swedish Alarm Tone	9	01001	80	86
10	Alternating tone	800/1000 Hz 1 Hz BS5839 Part 1:1988	21	01010	82	89
11	Sweeping tone	1400-2000 Hz 10 Hz	11	01011	89	92
12	Slow whoop	500-1200 Hz (Sweep 3 sec ON / 0.5 sec Off)	21	01100	90	97
13	Sweeping tone	800-1000 Hz 50 Hz Fast Sweep (LF)	21	01101	87	94
14	Intermittent tone	400 Hz/400 ms + 554 Hz/100 ms French Fire Sound	21	01110	83	90
15	Sweeping tone	800-1000 Hz 7 Hz Fast Sweep (LF) BS5839	21	10000	88	95
16	Intermittent tone	660 Hz (13 sec Off / 6.5 sec On) Swedish Alarm Tone	16	10001	79	85
17	Intermittent tone	1000 Hz 1 Hz Back-up Alarm (LF) BS5839 Part 1:1988	21	10010	82	89
18	Intermittent tone	2900 Hz (0,5 sec On / 0,5 sec Off) Mod.: 0,3 Hz ISO 8201 (HF) BS5839 P.1:1988	4	10011	94	102
19	Sweeping tone	2400-2900 Hz 1 Hz	22	10100	98	106
20	Intermittent tone	2900 Hz (150 ms On / 100 ms Off) Pelican Crossing	21	10101	94	101
21	Continuous tone	1000 Hz BS5839 Part 1:1988	21	10110	84	90
22	Continuous tone	2900 Hz	21	11000	94	101
23	Alternating tone	554/440 Hz 1 Hz Swedish Alarm Tone	23	11001	84	91
24	Intermittent tone	2900 Hz 1 Hz Back-up Alarm(HF)	22	11010	94	102
25	Alternating tone	800/1000 Hz 2 Hz BS5839 Part 1:1988	22	11011	84	89
26*	Sweeping tone	1200-500 Hz 1 Hz DIN33404, Part 3	21	11100	88	95
27	Sweeping tone	2400-2900 Hz 50 Hz	22	11101	95	104
28	Intermittent tone	660 Hz (150 ms On / 150 ms Off)	28	11110	78	84

* DIN Tone (according to setup DIN EN54-3:2001/A1:2002)

Created by	MZ	14.12.2012	Copyright DIGISOUND-Electronic GmbH, Germany All specifications are subject to change without notice	Index: 07	Page 4 of 7
Changed by	TF	14.03.2022	Drawing number 121214.1SDR		
Approved by	DS	24.03.2022			

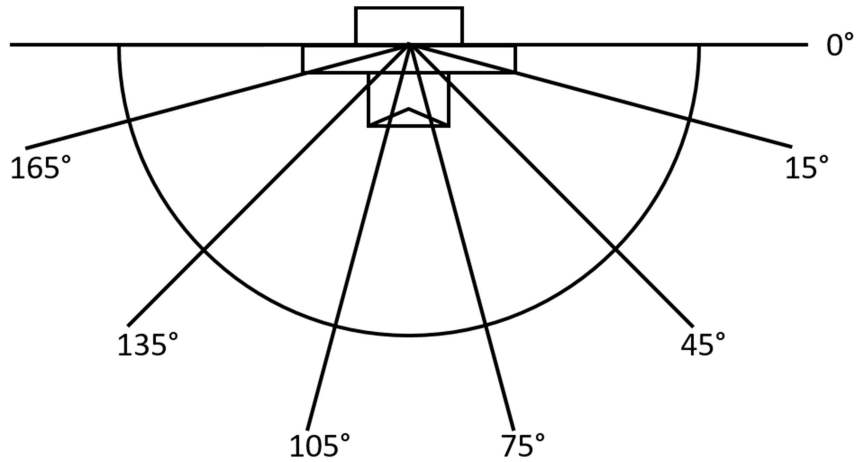
Ton-No.	Code	Frequency	Signal
1	00000	1000 Hz 800 Hz	
2	00001	660 Hz	
3	00010	2900 Hz 2400 Hz	
4	00011	1000 Hz	
5	00100	2900 Hz 2400 Hz	
6	00101	660 Hz	
7	00110	1000 Hz	
8	01000	1000 Hz 800 Hz	
9	01001	660 Hz	
10	01010	1000 Hz 800 Hz	
11	01011	1400 Hz 2000 Hz	
12	01100	1200 Hz 500 Hz	
13	01101	1000 Hz 800 Hz	
14	01110	554 Hz 440 Hz	
15	10000	1000 Hz 800 Hz	
16	10001	660 Hz	
17	10010	1000 Hz	
18	10011	2900 Hz	
19	10100	2900 Hz 2400 Hz	
20	10101	2900 Hz	
21	10110	1000 Hz	
22	11000	2900 Hz	
23	11001	554 Hz 440 Hz	
24	11010	2900 Hz	
25	11011	1000 Hz 800 Hz	
26*	11100	1200 Hz 500 Hz	
27	11101	2900 Hz 2400 Hz	
28	11110	660 Hz	

* DIN Tone (according to setup DIN EN54-3:2001/A1:2002)

Created by	MZ	14.12.2012	Copyright DIGISOUND-Electronic GmbH, Germany All specifications are subject to change without notice	Index: 07	Page 5 of 7
Changed by	TF	14.03.2022	Drawing number	<h1>121214.1SDR</h1>	
Approved by	DS	24.03.2022			

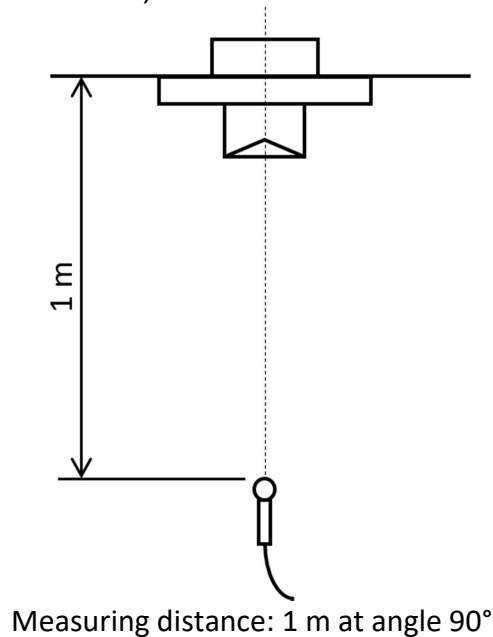
Test Method

Setup for SPL measurement for tone 26



SPL values for tone 26 at a distance of 1 m are calculated from measurement at 3 m +9.54 dB.
 Measuring setup is according to DIN EN54-3:2001/A1:2002 for DIN-tone (DIN 33404, Part3)
 Siren is rotated by 90° for measurements in the vertical plane.

Setup for SPL measurement for tones 1-25, 27 and 28



Created by	MZ	14.12.2012	Copyright DIGISOUND-Electronic GmbH, Germany All specifications are subject to change without notice	Index: 07	Page 6 of 7
Changed by	TF	14.03.2022	Drawing number 121214.1SDR		
Approved by	DS	24.03.2022			

Reliability Test

Defined by EN 54-3.

Confirmed with VdS-Nr.: G200117

Packaging Information

Cardboard 1x B/SE 128 with Deep Base: 105 x 105 x 105 mm

Cardboard 1x B/SE 128 with Shallow Base: 105 x 105 x 95 mm

Cardboard 4x Assembling Ring for Deep Base: 175 x 175 x 105 mm

Revision Table

Index Nr.	Reason - Procedure Change description	Date	Name
01	Update Result SPL	28.02.2014	Weiler
02	Update design, CPD number, signal diagram, new product photo, change Drilling for Ceiling Assembling Ring from Ø93 mm to Ø95 mm	31.01.2019	TF
03	Update Result SPL, add 90° min. SPL level, define different Operating Voltage for 12V and 24V, Update Tone Table, Current Consumption	08.05.2020	TF
04	"Not applicable at suspended ceilings" added at shallow base, Update text at drawing of component	03.08.2020	TF
05	Change IP Class for Deep Base to IP55, Packaging information	11.05.2021	TF
06	Change Label	25.01.2022	TF
07	Change Operating temperature to fit EN 54-3 requirements	14.03.2022	TF

Created by	MZ	14.12.2012	Copyright DIGISOUND-Electronic GmbH, Germany All specifications are subject to change without notice	Index: 07	Page 7 of 7
Changed by	TF	14.03.2022	Drawing number 121214.1SDR		
Approved by	DS	24.03.2022			